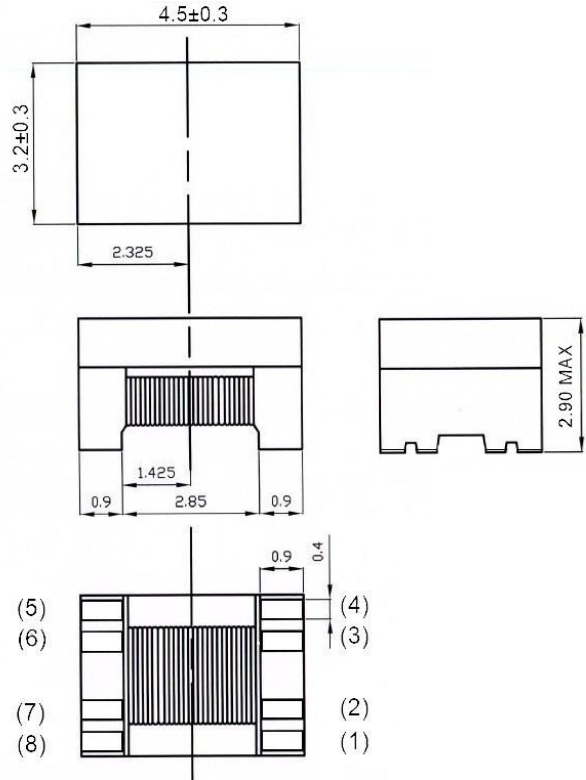


# FAT4532T-201-G1



## SHAPE AND DIMENSIONS (mm)



## RECOMMEND LAND PATTERN



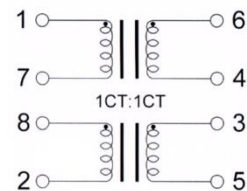
## FEATURES

- Fully automated production lines
- Compatible with 10 BASE-T, 100BASE-TX, and 1000BASE-T
- IEEE 802.3 Ethernet compatible
- RoHS compliant

## APPLICATIONS

- Servers, Switches, Routers, IP cameras
- Network devices and communication equipment
- Industrial computers
- Digital consumer electronics

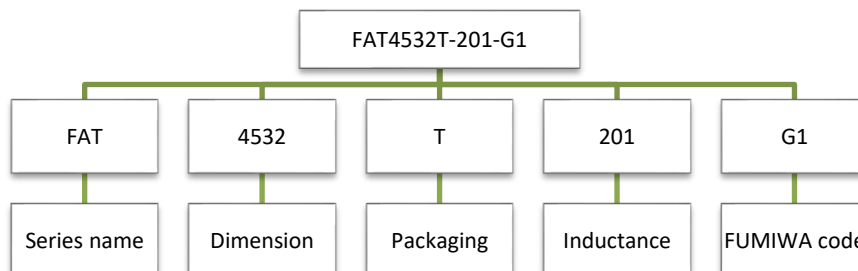
## SCHEMATIC DIAGRAM



## RATING

- Operating temperature range: -40 to 85°C
- Storage temperature range: 20 to 25°C
- R.H. 65% (For Reference)

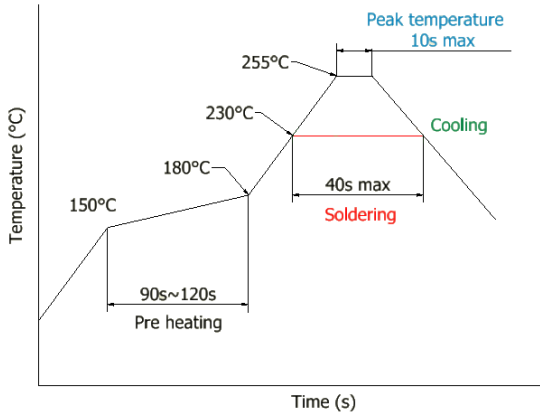
## PRODUCT IDENTIFICATION (ex.)



**ELECTRICAL CHARACTERISTICS**

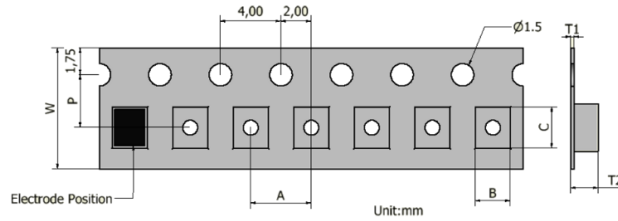
Part No.	Inductance [DC bias 8mA, 100KHz] Pin(1)(2) · short(7)(8) Pin(5)(6) · short(3)(4) ( $\mu$ H)Min.	Insertion loss [0.1 to 100MHz] (dB)Max.	Inter-winding capacitance [100KHz] (pF)Max.	Turn ratio
FAT4532T-201-G1	200	1.5	35	1CT:1CT

**RECOMMENDED SOLDERING CONDITIONS**



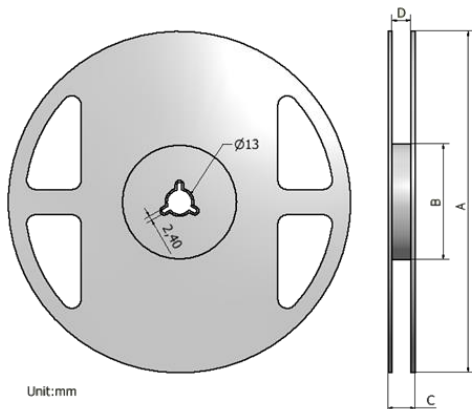
**PACKAGE**

(1) Taping specifications



Type	W	P	A	B	C	T1	T2
FAT4532	12 $\pm$ 0.2	5.5 $\pm$ 0.05	8.0 $\pm$ 0.1	3.45 $\pm$ 0.1	4.9 $\pm$ 0.1	0.20 $\pm$ 0.05	3.20 $\pm$ 0.1

(2) Reel specifications



**Label**

Pulse Transformers  
 FAT4532T-201-G1  
 2,000 PCS  
 Lot No. \_\_\_\_\_  
 FUMIWA TECHNICAL CO., LTD.

Type	A	B	C	D	Q'ty/Reel
FAT4532	330 $\pm$ 1.5	75 $\pm$ 2.0	18 $\pm$ 0.5	13 $\pm$ 0.5	2,000

---

### Note:

1. Please make sure that your product is has been evaluated and confirmed against your specifications when our product is mounted to your product.
2. Do not knock nor drop.
3. All the items and parameters in this product specification have been prescribed on the premise that our product is used for the purpose, under the condition and in the environment agreed upon between you and us. You are requested not to use our product deviating from such agreement.
4. Please keep the distance between transformer/coil and other components (refer to the standard IEC 950)