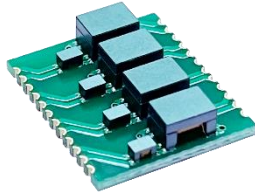


FAT-LAN-5G-00 Series



FEATURES

- Fully automated production lines
- Compatible with 5GBase-T
- IEEE 802.3 Ethernet compatible
- RoHS compliant

ELECTRICAL CHARACTERISTICS

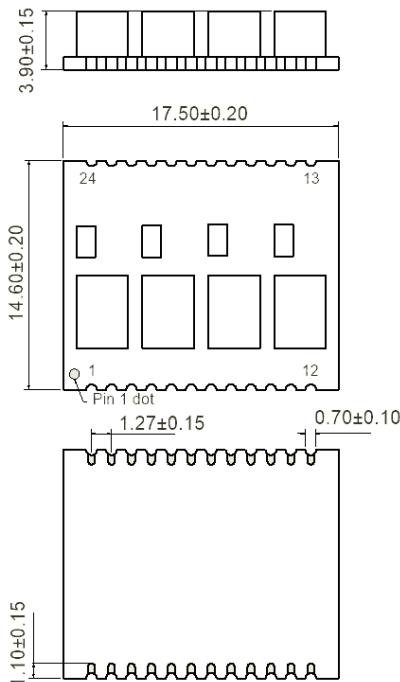
Inductance 100kHz/ 0.1V @0mA DC bias (μ H)Min.	Insertion loss (dB)Max.		Return Loss (dB)Min.@100 Ω		Differential to Common Mode Rejection Ratio (dB)Min.		Crosstalk (dB)Min. 1-250 MHz	Hi-pot (Vrms) 60sec.
	1-100 MHz	100-250 MHz	1-40 MHz	40 \leq f \leq 250 MHz	1-30 MHz	30 \leq f \leq 250 MHz		
180	-1.0	-2.0	-16	-16+10log (f/40)	-48	-44+19.2log (f/50)	-35	1500

RATING

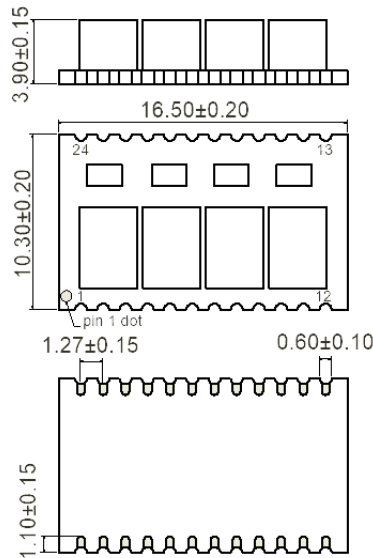
Operating temperature range: -40 to 85°C
 Storage temperature range: 20 to 25°C
 R.H. 65% (For Reference)

SHAPE AND DIMENSIONS (mm)

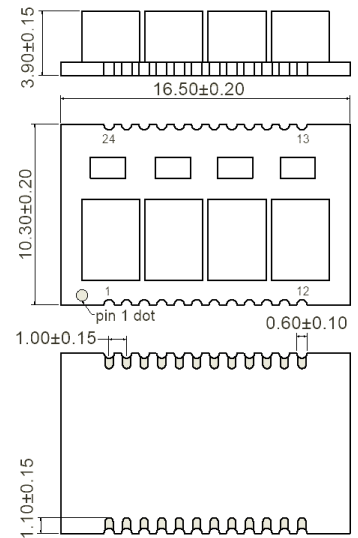
FAT-LAN-5G-00



FAT-LAN-5G-S127-00

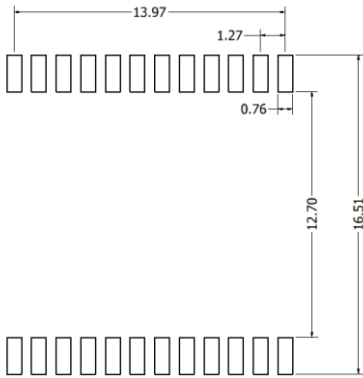


FAT-LAN-5G-S100-00

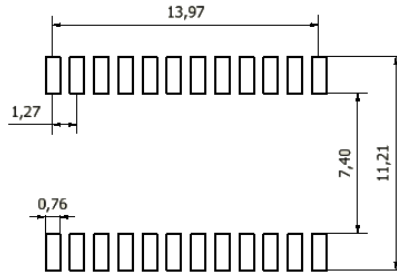


RECOMMEND LAND PATTERN (mm)

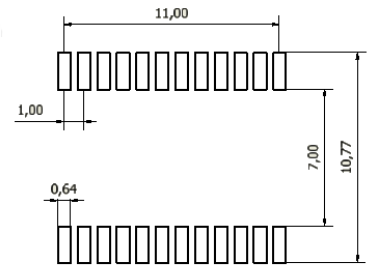
FAT-LAN-5G-00



FAT-LAN-5G-S127-00

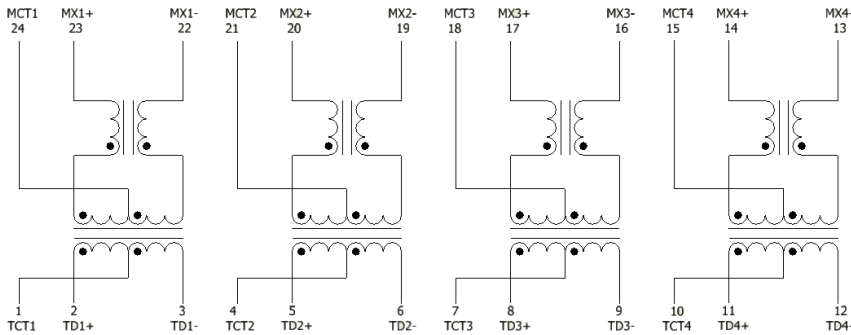


FAT-LAN-5G-S100-00

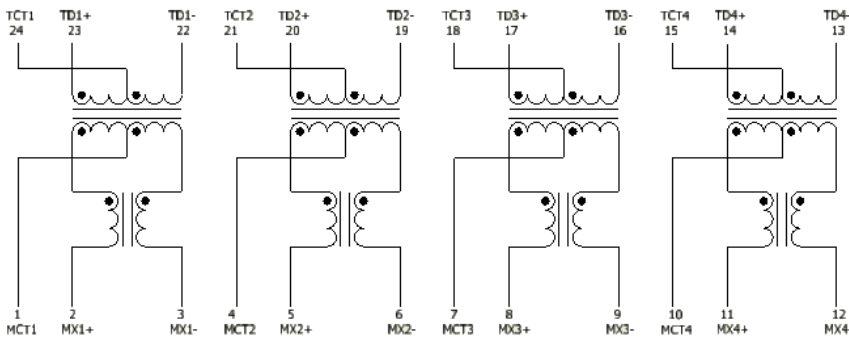


SCHEMATIC DIAGRAM

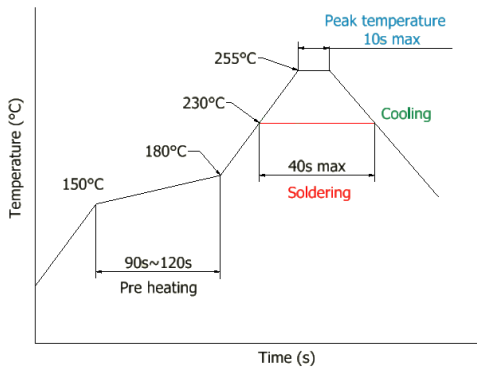
FAT-LAN-5G-00 / FAT-LAN-5G-S127-00 / FAT-LAN-5G-S100-00



FAT-LAN-5G-00-R / FAT-LAN-5G-S127-00-R / FAT-LAN-5G-S100-00-R

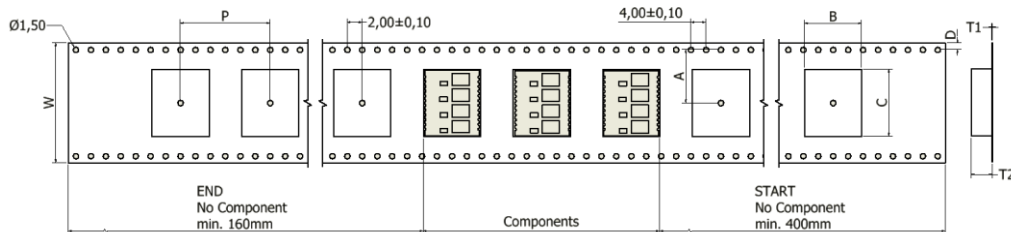


RECOMMENDED SOLDERING CONDITIONS



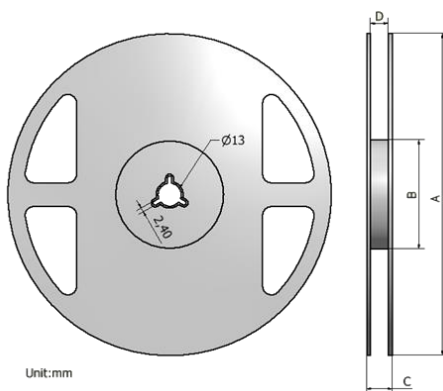
PACKAGE

(1) Taping specifications (mm)



Type	W	P	A	B	C	T1	T2
FAT-LAN-5G-00	32±0.2	24±0.1	14.2±0.1	14.9±0.2	17.9±0.2	0.4±0.05	4.5±0.1
FAT-LAN-5G-S127-00	32±0.2	20±0.1	14.2±0.1	10.7±0.2	16.9±0.2	0.4±0.05	4.5±0.1
FAT-LAN-5G-S100-00	32±0.2	20±0.1	14.2±0.1	10.7±0.2	16.9±0.2	0.4±0.05	4.5±0.1

(2) Reel specifications (mm)



Label

Chip LAN Transformers Module
 FAT-LAN-5G-□□□-00-(R)
 400 PCS
 Lot No. _____
 FUMIWA TECHNICAL CO., LTD.

Type	A	B	C	D	Q'ty/Reel
FAT-LAN-5G-00	330±1.5	75±2.0	37.5±2.0	32.5±0.5	400
FAT-LAN-5G-S127-00	330±1.5	75±2.0	37.5±2.0	32.5±0.5	400
FAT-LAN-5G-S100-00	330±1.5	75±2.0	37.5±2.0	32.5±0.5	400

Note:

1. Please make sure that your product is has been evaluated and confirmed against your specifications when our product is mounted to your product.
2. Do not knock nor drop.
3. All the items and parameters in this product specification have been prescribed on the premise that our product is used for the purpose, under the condition and in the environment agreed upon between you and us. You are requested not to use our product deviating from such agreement.
4. Please keep the distance between transformer/coil and other components (refer to the standard IEC 950)