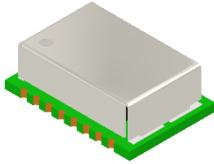


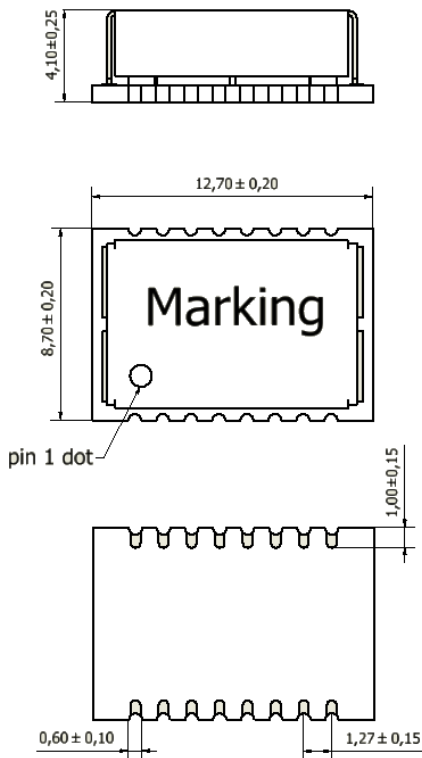
FAT-LAN



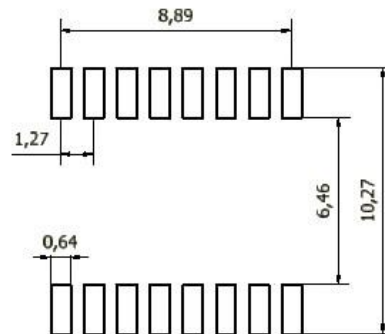
FEATURES

Compatible with 10/100 Base-T
IEEE 802.3 Ethernet compatible
RoHS compliant

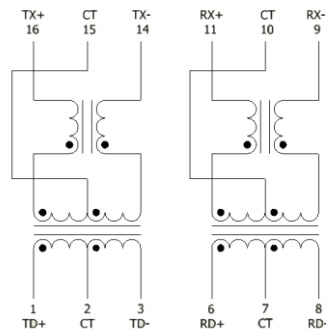
SHAPE AND DIMENSIONS (mm)



RECOMMEND LAND PATTERN (mm)



SCHEMATIC DIAGRAM



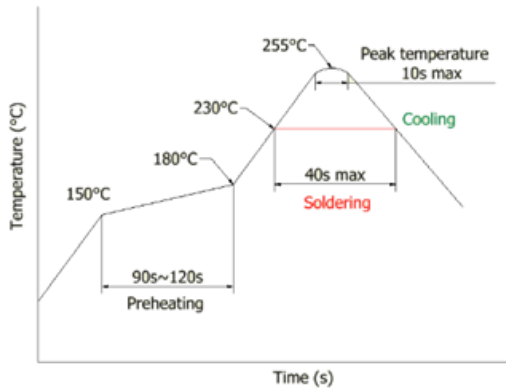
ELECTRICAL CHARACTERISTICS

Inductance 100kHz/ 0.1V @0mA DC bias (μH)Min.	Insertion loss [1 to 100MHz] (dB)Max.	Return Loss (dB)Min.@100Ω			Differential to Common Mode Rejection Ratio (dB)Min.		Crosstalk (dB)Min.	Hi-pot (Vrms) 60sec.
		1-30MHz	30-60MHz	60-100MHz	1-60MHz	60-100MHz		
350	-1.0	-18	-14	-12	-35	-33	-35	1500

RATING

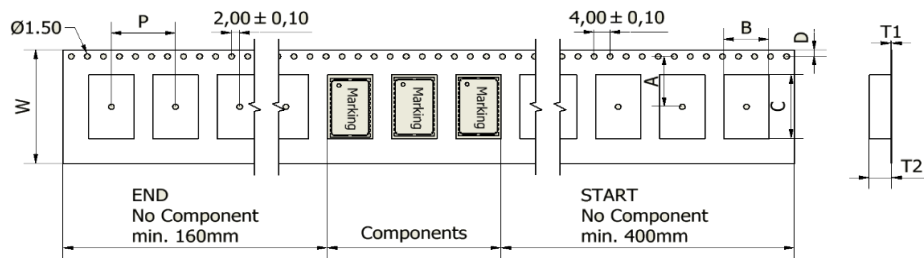
Operating temperature range: -40 to 85°C
Storage temperature range: 20 to 25°C
R.H. 65% (For Reference)

RECOMMENDED SOLDERING CONDITIONS



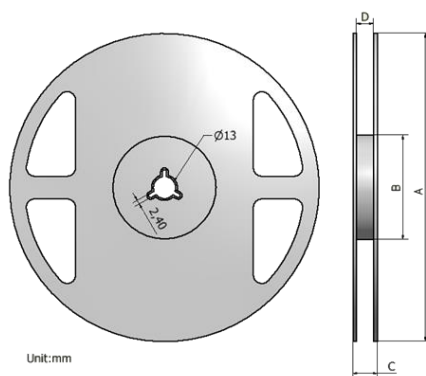
PACKAGE

(1) Taping specifications (mm)

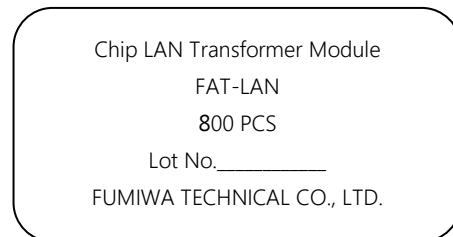


Type	W	P	A	B	C	T1	T2
FAT-LAN	24±0.2	16±0.1	11.5±0.1	9±0.2	13±0.2	0.4±0.05	4.9±0.1

(2) Reel specifications (mm)



Label



Type	A	B	C	D	Q'ty/Reel
FAT-LAN	330±1.5	75±2.0	29.5±1.0	24.3±0.3	800

Note:

1. Please make sure that your product is has been evaluated and confirmed against your specifications when our product is mounted to your product.
2. Do not knock nor drop.
3. All the items and parameters in this product specification have been prescribed on the premise that our product is used for the purpose, under the condition and in the environment agreed upon between you and us. You are requested not to use our product deviating from such agreement.
4. Please keep the distance between transformer/coil and other components (refer to the standard IEC 950)