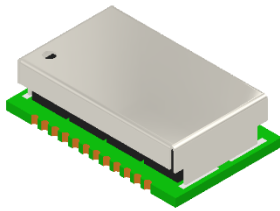


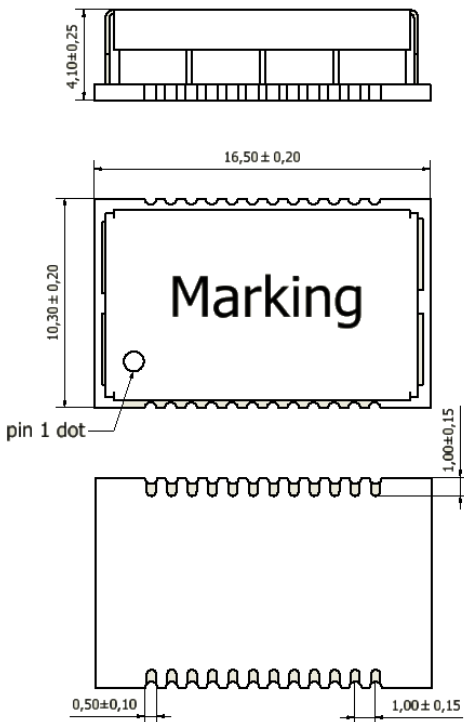
FAT-LAN-1G-S100



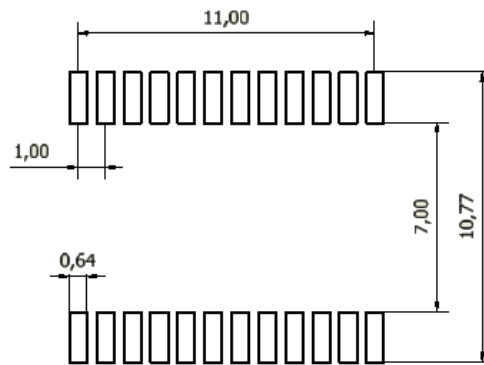
FEATURES

- Compatible with 10/100/1000 Base-T
- IEEE 802.3 Ethernet compatible
- RoHS compliant

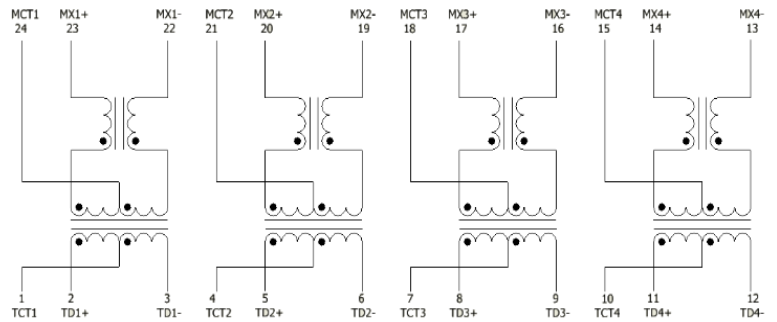
SHAPE AND DIMENSIONS (mm)



RECOMMEND LAND PATTERN (mm)



SCHEMATIC DIAGRAM



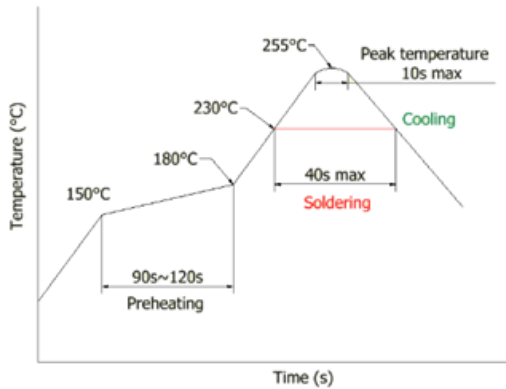
ELECTRICAL CHARACTERISTICS

Inductance 100kHz/ 0.1V @0mA DC bias (μ H)Min.	Insertion loss [1 to 100MHz] (dB)Max.	Return Loss (dB)Min.@100 Ω			Differential to Common Mode Rejection Ratio (dB)Min.		Crosstalk (dB)Min.	Hi-pot (Vrms) 60sec.
		1-30MHz	30-80MHz	80-100MHz	1-60MHz	60-100MHz		
350	-1.0	-18	-12	-10	-35	-30	-35	1500

RATING

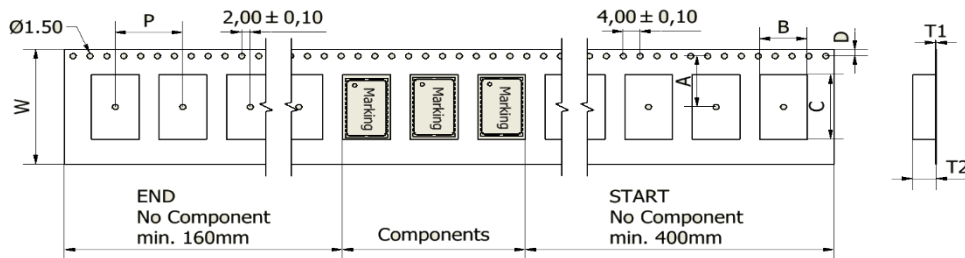
- Operating temperature range: -40 to 85°C
- Storage temperature range: 20 to 25°C
- R.H. 65% (For Reference)

RECOMMENDED SOLDERING CONDITIONS



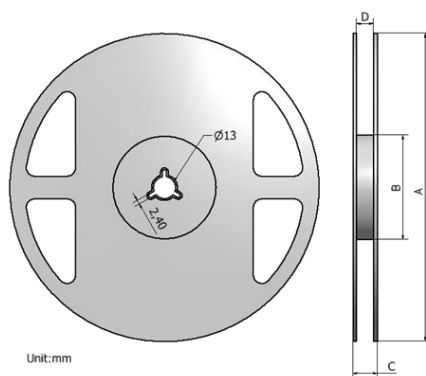
PACKAGE

(1) Taping specifications (mm)



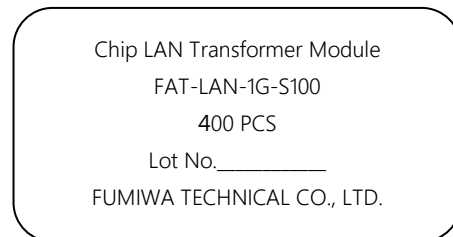
Type	W	P	A	B	C	T1	T2
FAT-LAN-1G-S100	32±0.2	24±0.1	14.2±0.1	10.7±0.2	17.1±0.2	0.4±0.05	4.9±0.1

(2) Reel specifications (mm)



Unit:mm

Label



Type	A	B	C	D	Q'ty/Reel
FAT-LAN-1G-S100	330±1.5	75±2.0	37.5±2.0	32.5±0.5	400

Note:

1. Please make sure that your product is has been evaluated and confirmed against your specifications when our product is mounted to your product.
2. Do not knock nor drop.
3. All the items and parameters in this product specification have been prescribed on the premise that our product is used for the purpose, under the condition and in the environment agreed upon between you and us. You are requested not to use our product deviating from such agreement.
4. Please keep the distance between transformer/coil and other components (refer to the standard IEC 950)