

FHPC252010



FEATURES

- Halogen Free
- 2.5 x 2.0 x 1.0mm maximum surface mount packag
- Powder iron core material
- Magnetically shielded, low EMI
- High current carrying capacity, Low core losses

SPECIFICATIONS

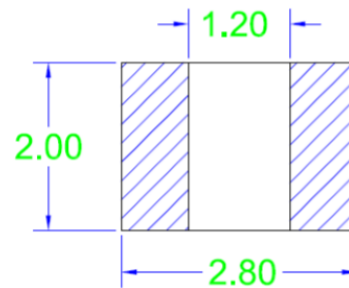
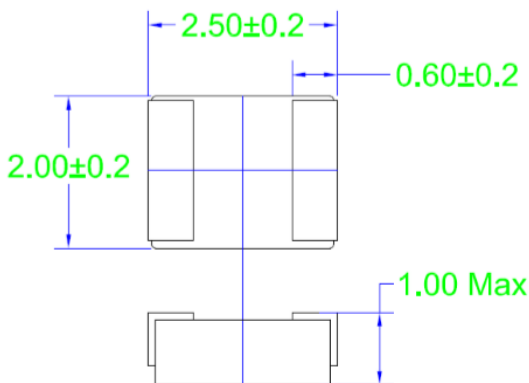
Operating temperature range	-55 to +125°C
Storage temperature range	Under 25°C
Packaging style	Taping
Quantities	2000 pieces/reel

APPLICATIONS

- Voltage Regulator Module (VRM)
- Multi-phase regulators
- Point-of-load modules
- Smart phone POL modules
- SSD modules
- Notebook regulators
- Battery power systems
- Graphics cards
- Data networking and storage systems

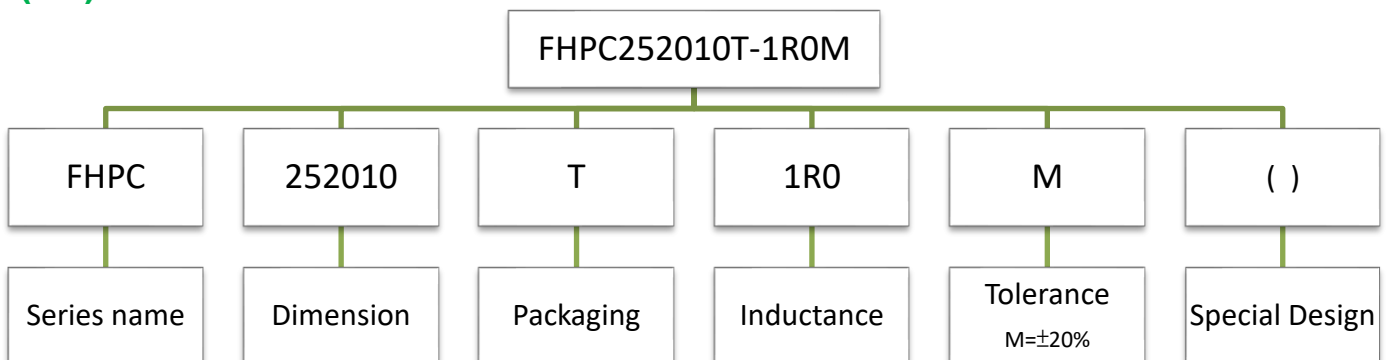
SHAPE AND DIMENSIONS (mm)

Recommend Land Pattern Dimensions (mm)



PRODUCT IDENTIFICATION

(ex.)



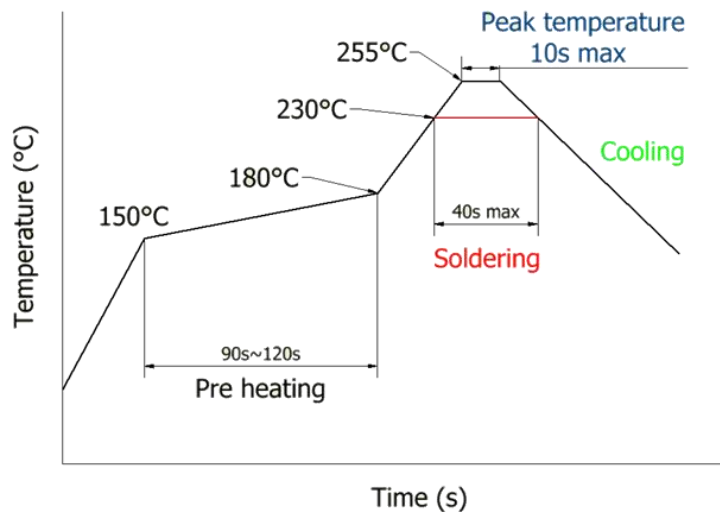
ELECTRICAL CHARACTERISTICS

Part No.	Inductance (μH)	Inductance tolerance	Test Frequency (MHz)	DC Resistance ($\text{m}\Omega$)		Heat Rating Current $I_{dc}(\text{A})$	Saturation Current $I_{sat}(\text{A})$
				TYP.	MAX.		
FHPC252010T-R33	0.33	$\pm 20\%$	1	17	23	4.4	5.3
FHPC252010T-R47	0.47	$\pm 20\%$	1	27	34	3.5	4.5
FHPC252010T-1R0	1.0	$\pm 20\%$	1	47	54	2.8	3.55
FHPC252010T-2R2	2.2	$\pm 20\%$	1	95	110	1.8	2.6

1. All test data is referenced to 25 °C ambient
2. Operating temperature range - 55 °C to + 125 °C
3. $I_{dc}(\text{A})$:DC current (A) that will cause an approximate ΔT of 40 °C (reference ambient temperature is 25 °C)
4. $I_{sat}(\text{A})$:DC current (A) that will cause L_0 to drop approximately 30 %

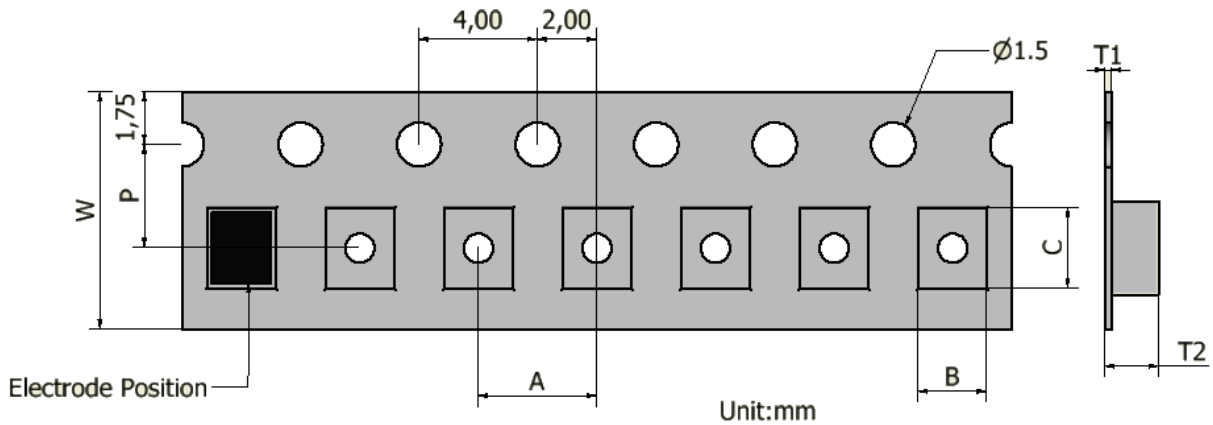
The part temperature (ambient + temp rise) should not exceed 125 °C under worst case operating conditions. Circuit design, component placement, PWB trace size and thickness, airflow and other cooling provisions all affect the part temperature. Part temperature should be verified in the end application.

RECOMMENDED SOLDERING CONDITIONS



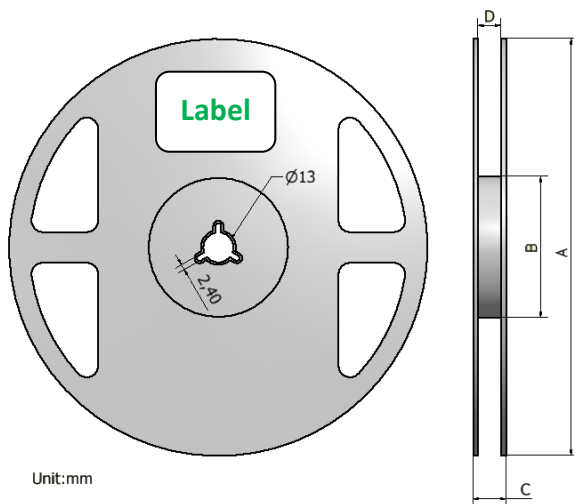
PACKAGE

(1) Taping specifications



Type	W	P	A	B	C	T1	T2
FHPC252010	8 \pm 0.3	3.5	4.0 \pm 0.1	2.30 \pm 0.1	2.70 \pm 0.1	0.23 \pm 0.05	1.2 \pm 0.1

(2) Reel Specifications



Label

Molding Power Inductors
 FHPC252010T-□□□M
 2,000 PCS
 Lot No. _____
 FUMIWA TECHNICAL CO., LTD.

Type	Q'ty
PCS/Reel	2000
Reel/inner Box	10000
Inner Box/Carton	50000

Type	A	B	C	D	Q'ty/Reel
FHPC201610	180 \pm 1.5	60 \pm 2.0	14.5 \pm 0.1	10 \pm 0.15	2000