

# FNR5230



## FEATURES

Magnetically structure  
 Low DC resistance  
 Large Current Capability

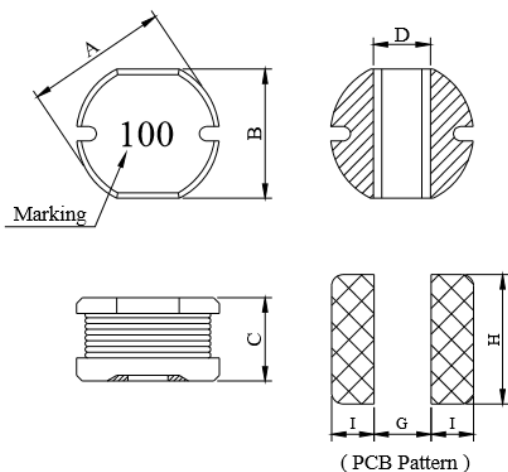
## APPLICATIONS

Hard Disk Drives  
 Car audio equipment

## SPECIFICATIONS

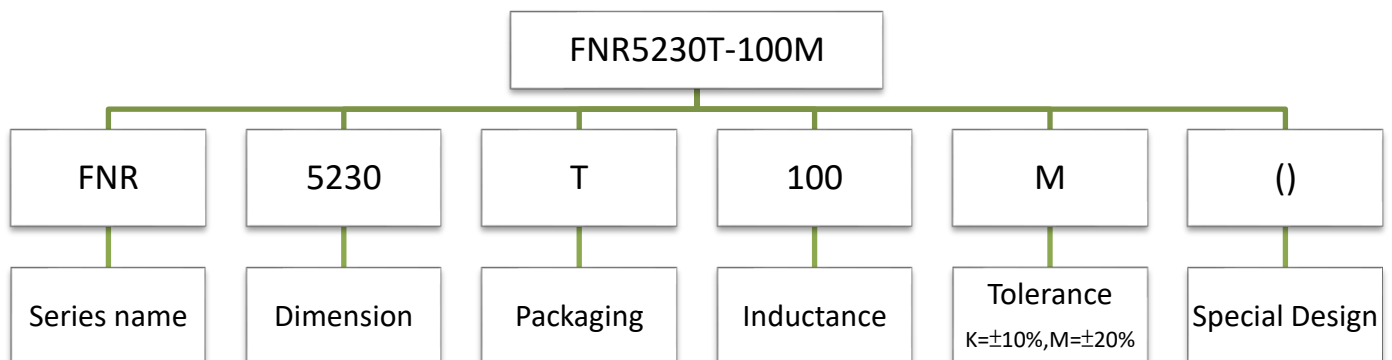
|                             |                  |
|-----------------------------|------------------|
| Operating temperature range | -40 to +125°C    |
| Storage temperature range   | Under 25°C       |
| Packaging style             | Taping           |
| Quantities                  | 2000 pieces/reel |

## SHAPE AND DIMENSIONS (mm)



| Item | Spec. (mm)  |
|------|-------------|
| A    | 5.80 ± 0.30 |
| B    | 5.20 ± 0.30 |
| C    | 3.00 ± 0.30 |
| D    | 1.30 typ.   |
| G    | 1.90 ref.   |
| H    | 5.00 ref.   |
| I    | 1.80 ref.   |

## PRODUCT IDENTIFICATION



## ELECTRICAL CHARACTERISTICS

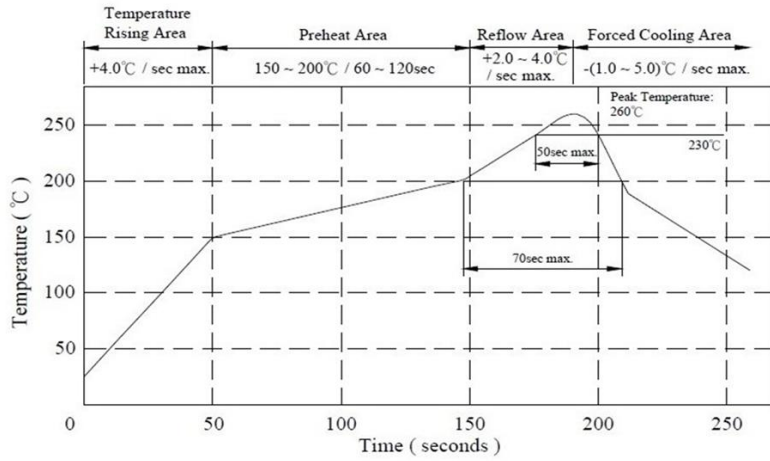
| Part No.     | Inductance<br>( $\mu$ H) | Inductance tolerance | Test Frequency<br>(Hz) | RDC             | IDC    |
|--------------|--------------------------|----------------------|------------------------|-----------------|--------|
|              |                          |                      |                        | ( $\Omega$ )max | (A)max |
| FNR5230T-1R0 | 1.0                      | M                    | 100K                   | 0.020           | 4.00   |
| FNR5230T-1R2 | 1.2                      | M                    | 100K                   | 0.022           | 3.95   |
| FNR5230T-1R5 | 1.5                      | M                    | 100K                   | 0.024           | 3.90   |
| FNR5230T-1R8 | 1.8                      | M                    | 100K                   | 0.026           | 3.85   |
| FNR5230T-2R2 | 2.2                      | M                    | 100K                   | 0.028           | 3.80   |
| FNR5230T-2R7 | 2.7                      | M                    | 100K                   | 0.030           | 3.70   |
| FNR5230T-3R3 | 3.3                      | M                    | 100K                   | 0.040           | 3.40   |
| FNR5230T-3R9 | 3.9                      | M                    | 100K                   | 0.040           | 3.20   |
| FNR5230T-4R1 | 4.1                      | M                    | 100K                   | 0.045           | 3.15   |
| FNR5230T-4R7 | 4.7                      | M                    | 100K                   | 0.050           | 3.10   |
| FNR5230T-5R3 | 5.3                      | M                    | 100K                   | 0.065           | 2.90   |
| FNR5230T-5R6 | 5.6                      | M                    | 100K                   | 0.070           | 2.80   |
| FNR5230T-6R8 | 6.8                      | M                    | 100K                   | 0.080           | 2.50   |
| FNR5230T-8R2 | 8.2                      | M                    | 100K                   | 0.090           | 2.20   |
| FNR5230T-100 | 10                       | K,M                  | 1K                     | 0.110           | 1.90   |
| FNR5230T-120 | 12                       | K,M                  | 1K                     | 0.130           | 1.60   |
| FNR5230T-150 | 15                       | K,M                  | 1K                     | 0.150           | 1.30   |
| FNR5230T-180 | 18                       | K,M                  | 1K                     | 0.180           | 1.00   |
| FNR5230T-220 | 22                       | K,M                  | 1K                     | 0.220           | 0.93   |
| FNR5230T-270 | 27                       | K,M                  | 1K                     | 0.270           | 0.86   |
| FNR5230T-330 | 33                       | K,M                  | 1K                     | 0.310           | 0.79   |
| FNR5230T-390 | 39                       | K,M                  | 1K                     | 0.330           | 0.78   |
| FNR5230T-470 | 47                       | K,M                  | 1K                     | 0.450           | 0.72   |

Note : 1. Tolerance : K= $\pm$ 10% / M= $\pm$ 20%

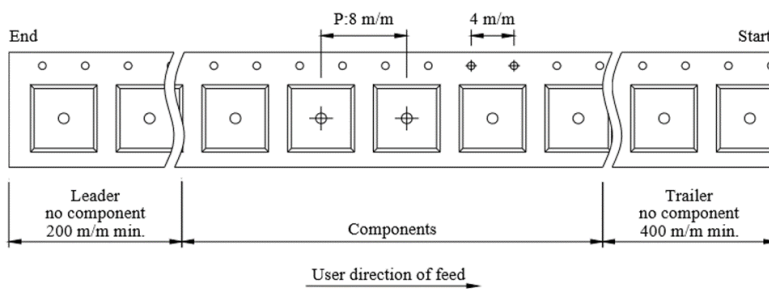
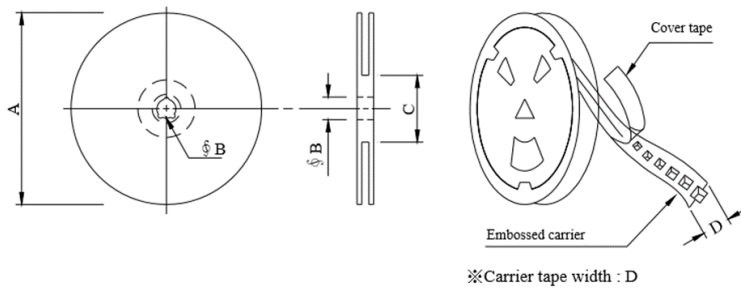
2. IDC base on  $\Delta$ L / LOA=10% max

## RECOMMENDED SOLDERING CONDITIONS

Peak Temp : 260°C max.  
 Max time above 230°C : 50sec max.  
 Max time above 200°C : 70sec max.



## PACKAGE



| Reel type | A     | B    | C     | D    | Reel Q'ty |
|-----------|-------|------|-------|------|-----------|
| 13-12     | 330mm | 13mm | 100mm | 12mm | 2000pcs   |