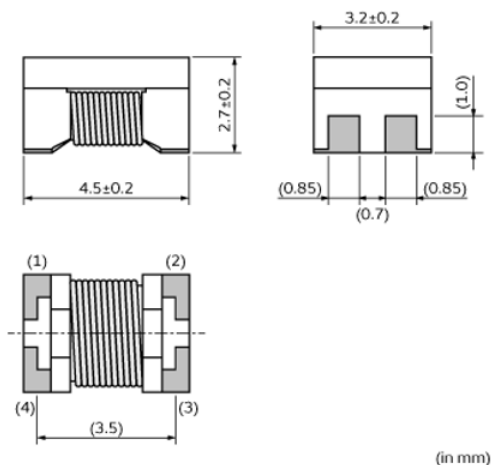


FCWL4532



SHAPE AND DIMENSIONS (mm)



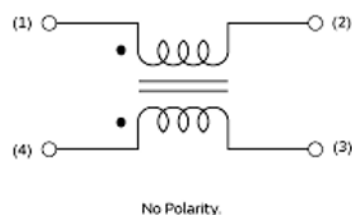
FEATURES

1. It realized common mode inductance of 200μH (at 0.1MHz) though it is small size.
2. Transfer mode conversion characteristics is properly improved
3. Small size: L4.5xW3.2xT2.7mm (EIA code: 1812)
Tolerance: 0.2mm

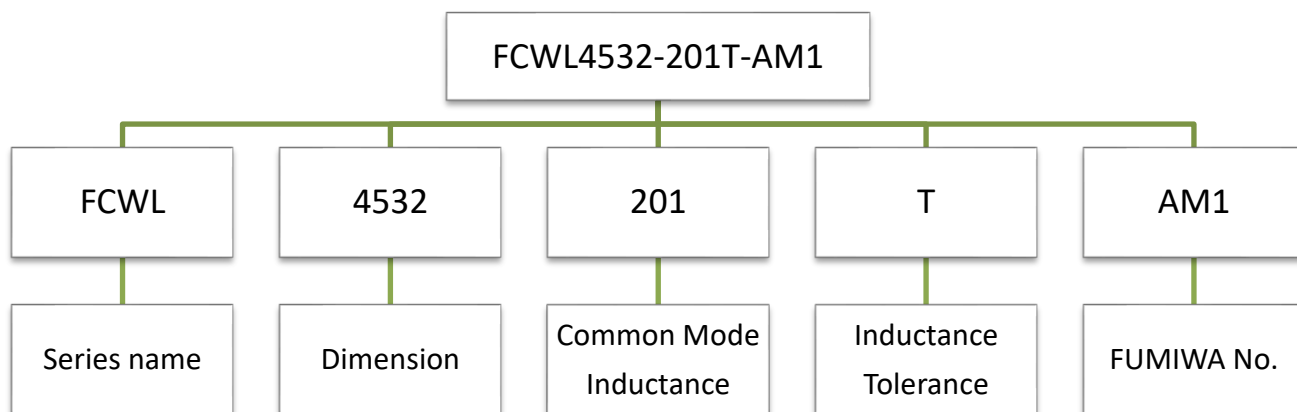
APPLICATION

Noise countermeasures for the automotive market, in particular for the vehicle LAN BroadR-Reach®

EQUIVALENT CIRCUIT



PRODUCT IDENTIFICATION (ex.)



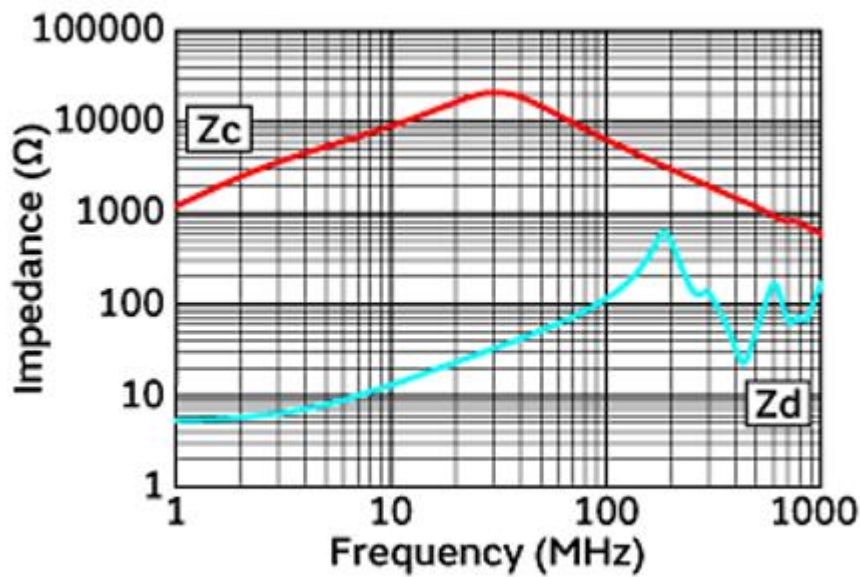
ELECTRICAL CHARACTERISTICS

Part No.	Common Mode Inductance (μ H)	Test Freq. (MHz)	Withstand Voltage Vdc	Rated Voltage Vdc	Insulation Resistance (Ω)min.	RDC (Ω)Max.	Rated Current (mA)
FCWL4532-201T-AM1	200	0.1	50	20	10M	4.5	110

* Tolerance: T=+50/-25%

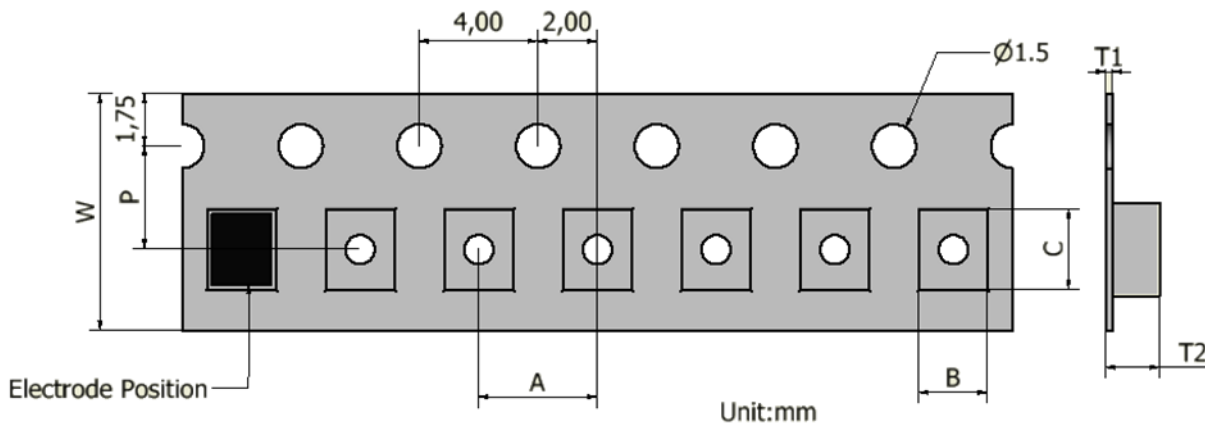
* Operating temperature range : -40°C~105°C

IMPEDANCE-FREQUENCY CHARACTERISTIC



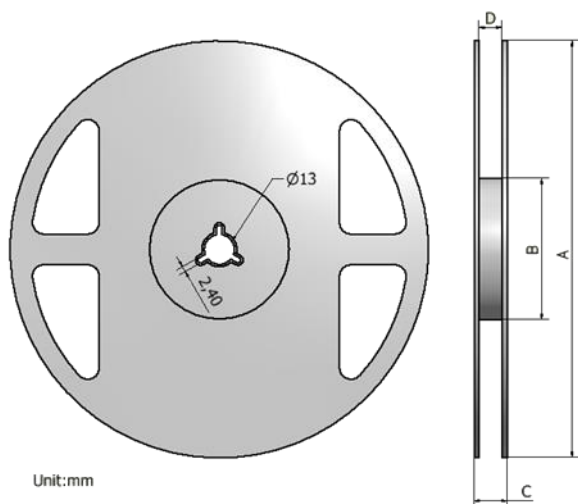
PACKAGE

(1) Taping specifications

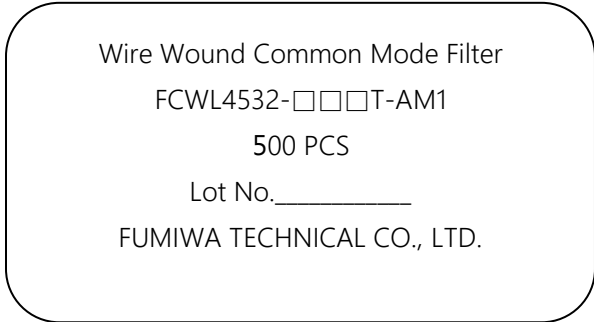


Type	W	P	A	B	C	T1	T2
FCWL4532	12±0.2	5.5±0.05	8.0±0.1	3.45±0.1	4.9±0.1	0.23±0.05	3.05±0.1

(2) Reel specifications



Label



Type	A	B	C	D	Q'ty/Reel
FCWL4532	180	60	16.5	14	500

Note:

1. Please make sure that your product is has been evaluated and confirmed against your specifications when our product is mounted to your product.
2. Do not knock nor drop.
3. All the items and parameters in this product specification have been prescribed on the premise that our product is used for the purpose, under the condition and in the environment agreed upon between you and us. You are requested not to use our product deviating from such agreement.
4. Please keep the distance between transformer/coil and other components (refer to the standard IEC 950)